

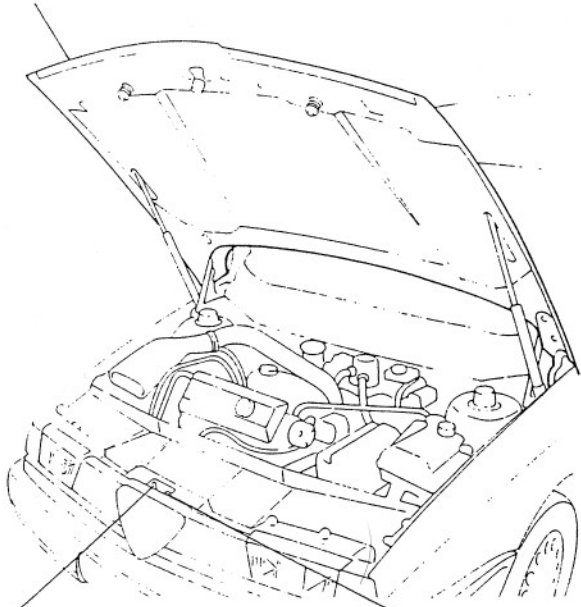
**GROUP 56****BOOT AND BONNET****INDEX**

BOOT AND BONNET	56-5	- BOOT	56-9
- BONNET	56-5	- Removal and installation	56-9
- Removal and installation	56-5	- LOCKING DEVICE	56-10
- Adjustment of the bonnet position adjustment pins	56-5	- Removal and installation	56-10
- Shock buffer adjustment	56-5	- BOOT LOCK CATCH	56-10
- BONNET RELEASE CONTROL ...	56-6	- Removal and installation	56-10
- Removal and installation	56-6	- Catch adjustment	56-10
- Adjustment of bonnet release cable	56-7	- BOOT LOCK	56-11
- BONNET SAFETY LOCK	56-8	- Removal and installation	56-11
- Removal and installation	56-8	TECHNICAL CHARACTERISTICS AND SPECIFICATIONS	56-12
		- GENERAL INDICATIONS	56-12
		- Fluids and lubricants	56-12
		- TIGHTENING TORQUES	56-12



ILLUSTRATED INDEX

BONNET (Page 56-5)



BONNET SAFETY LOCK

(Page 56-8)

BONNET RELEASE CONTROL

(Page 56-6)

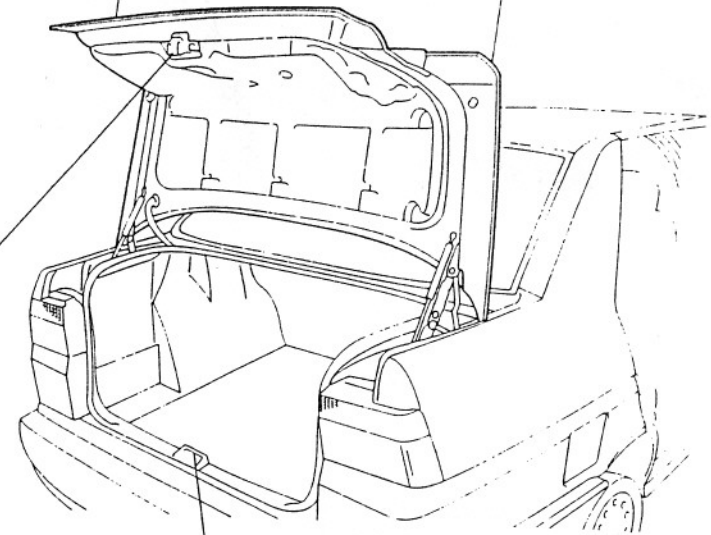


LOCK BLOCK (Page 56-11)

BOOT (Page 56-9)

LOCKING DEVICE

(Page 56-10)



BOOT CATCH

(Page 56-10)

**BOOT AND BONNET****BONNET****REMOVAL AND INSTALLATION**

NOTE: Avoid damaging the paintwork during removal or installation of the bonnet.

- Open the bonnet.
- Disconnect the negative lead (-) from the battery.



CAUTION:
Support the bonnet properly to prevent it falling onto operators during removal.

1. Remove the dampers from the bonnet.
2. Unscrew the four bolts (two per hinge) securing the hinge to the bonnet.
3. Remove the bonnet.



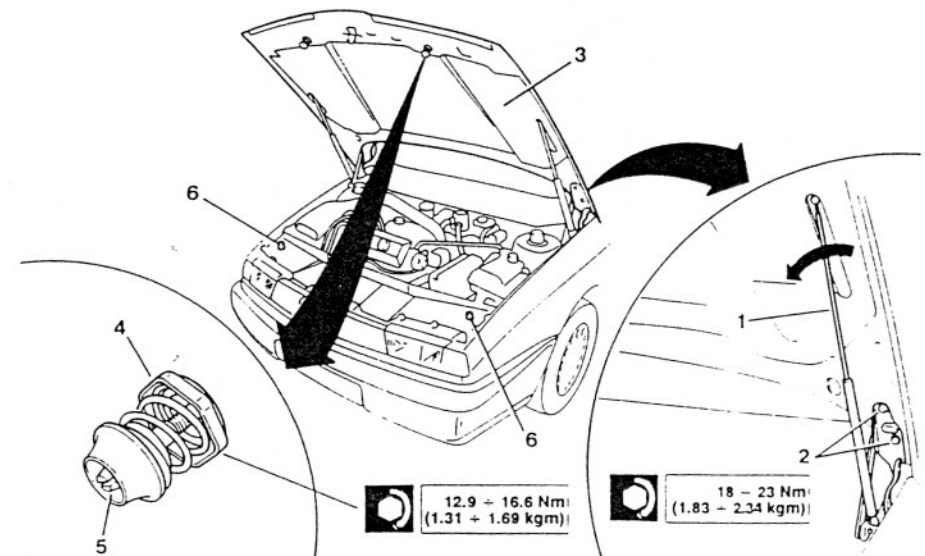
- Replace by reversing the removal procedure.
- Before tightening the hinge retaining bolts adjust the position of the bonnet (see: GR. 49 - REPLACING MOBILE COMPONENTS - BONNET)
 - Following installation, if necessary, adjust the closure adjustment pins and the shock buffers as indicated in the following.

**ADJUSTMENT OF THE BONNET POSITION
ADJUSTMENT PINS**

4. Slightly loosen the hinge bolts.
 5. Screw or unscrew the setting pin as necessary.
- Check for correct adjustment and repeat the operation if necessary.
 - Tighten the hinge bolt.

SHOCK BUFFER ADJUSTMENT

6. Manually screw or unscrew the shock buffers as necessary.
- Check for correct adjustment and repeat the operation if necessary.

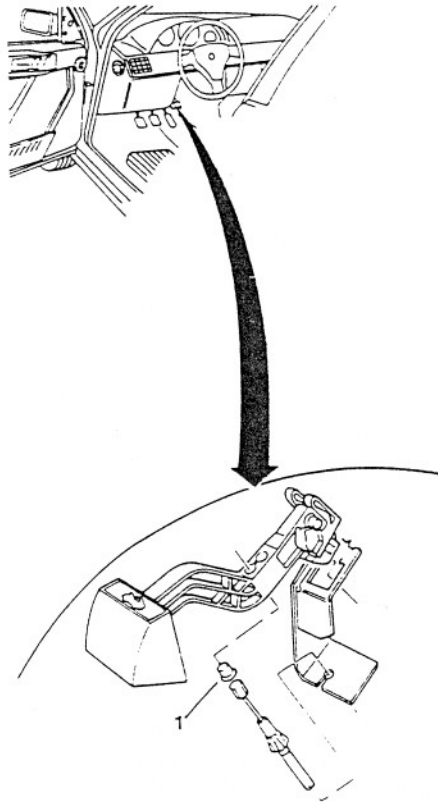


**BONNET RELEASE CONTROL****REMOVAL AND INSTALLATION**

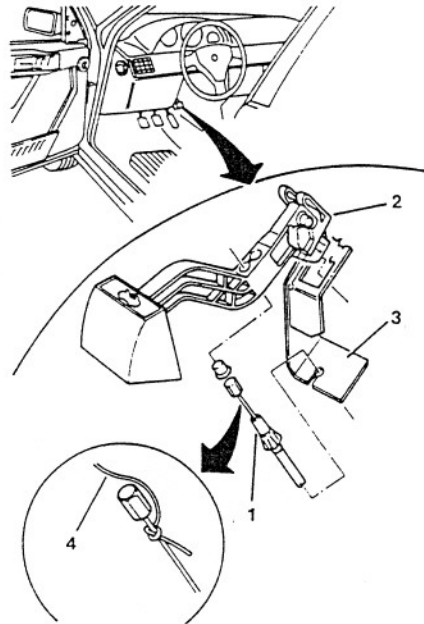
- Disconnect the negative lead (-) from the battery.

Working from inside the vehicle:

1. Remove the rubber protection.



1. Slide the release control cable off the lever seating.
2. Using a screwdriver, apply leverage to the securing wings and, unhook and remove the cable from the lever bracket.
3. Using a pair of pliers remove the cable from the lever seating bracket.
4. Tie a thread to the end of the control cable in order to facilitate installation of the new cable.

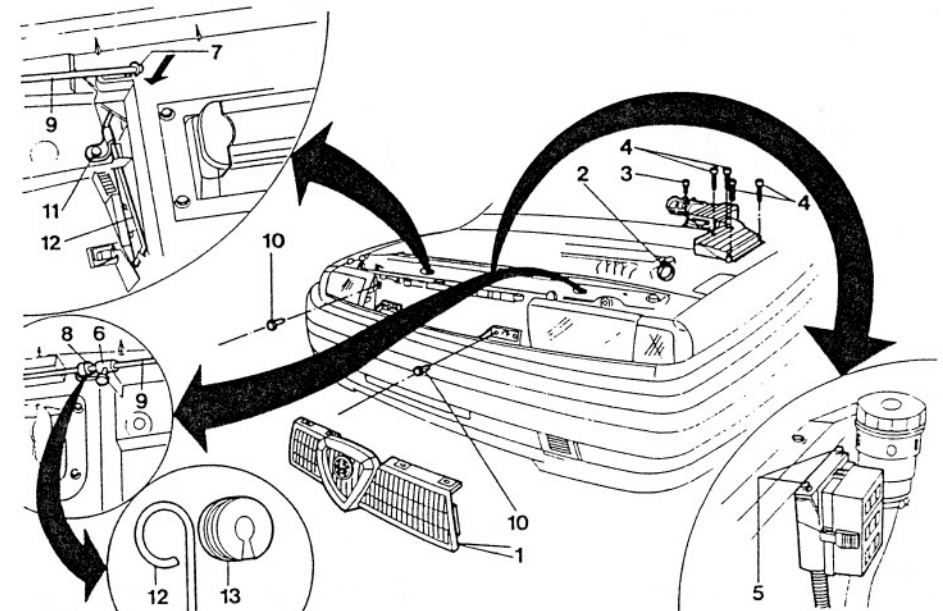


- Open the bonnet

Working from outside the vehicle:

1. Remove the front grill (see: GR. 75 - FRONT GRILL AND MOULDING UNDER HEADLIGHT).
2. Loosen the flow meter clamp retaining screws.
3. Unscrew the flow meter retaining screws.
4. Unscrew the four screws securing the filter cover and remove the cover together with the flow meter.
5. (Only for 1.8/2.0 TS e 2.4 V6): unscrew the two screws securing the relay box to the front crossmember and remove it.
6. Loosen the cable tension adjustment pawl.

7. Unhook the control cable from the right securing device.
8. Disconnect the cable from the pawl on the left securing device.
9. Slide the cable from the sheath and secure the thread previously connected to the end inside the vehicle.
10. Unscrew the screws holding the securing device brackets to the crossmember.
11. Remove the brackets.
12. Remove the securing device.
13. Separate the pawls from the securing devices.



- Install by reversing the removal procedure.
- For installation of components and/or parts dealt with in other pages of this or other groups, refer to the relative procedures and warnings.
 - Following installation adjust the bonnet release cable as follows.

ADJUSTMENT OF BONNET RELEASE CABLE

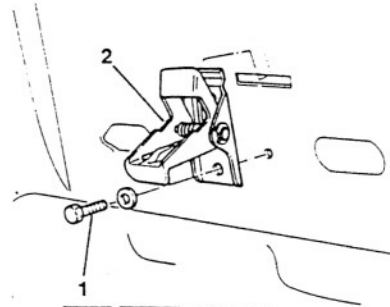

- Apply traction to the cable and screw the cable retaining screws located on the pawl.
- Check that the bonnet opens correctly.

**BONNET SAFETY LOCK****REMOVAL AND INSTALLATION**

- Disconnect the negative cables (-) from the battery.
 - Open the bonnet.
1. Unscrew the safety locking device retaining screws.
 2. Remove the safety locking device by unhooking it from the bonnet.



Install by reversing the removal procedure.



7.1 + 9 Nm
(0.72 + 0.92 kgm)
**BOOT****REMOVAL AND INSTALLATION**

NOTE: Avoid damaging the paintwork during removal or installation.

- Disconnect the negative cable (-) from the battery.

**CAUTION:**

Support the boot lid properly to prevent it falling onto the operators during removal.

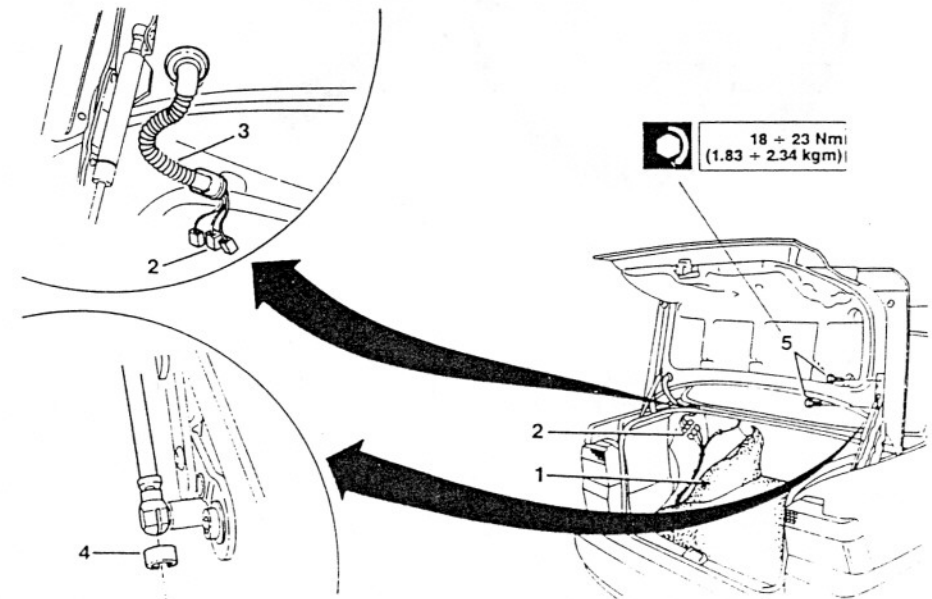
1. Remove the luggage compartment trim from the left side in order to again access to the boot wiring connectors.
2. Disconnect the boot wiring connectors.

3. Withdraw the rubber bellows from the vehicle side.
4. Withdraw the safety stop from the boot lid shock absorber from the vehicle side and disconnect the shock absorber from its seating.
5. Unscrew the four bolts securing the hinges to the boot lid and remove the lid.



Install by reversing the removal procedure.

- Before tightening the hinge bolts adjust the position of the boot lid (see: GR. 49 - REPLACEMENT OF MOBILE COMPONENTS - BOOT).
- Before connecting the connectors, check that the cables are correctly inserted in them.




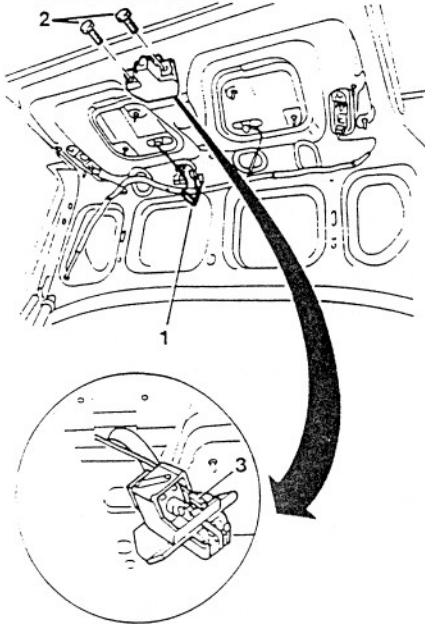


LOCKING DEVICE

REMOVAL AND INSTALLATION

- Disconnect the negative cable (-) from the battery.
 - Remove the luggage compartment trim (see: GR. 66 - LUGGAGE COMPARTMENT TRIM).
1. Disconnect the two boot release and Check Panel connectors.
 2. Unscrew the locking device retaining bolts and remove the device from the boot lid.
 3. Using a screwdriver, disconnect the tie-rod from the lock block and remove the device.

 19 + 25 Nm
(1.94 + 2.55 kgm)

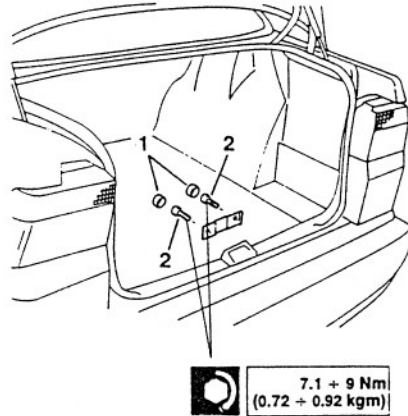



- Install by reversing the removal procedure.
- For installation of components and/or parts dealt with in other pages of this or other groups, refer to the relative procedures and warnings.
 - Before connecting the electrical connectors check that the electric cables have been correctly inserted into them.

BOOT LOCK CATCH

REMOVAL AND INSTALLATION

1. Remove the catch retaining screw covers.
2. Unscrew the two screws securing the catch to the body.



 7.1 + 9 Nm
(0.72 + 0.92 kgm)



- Install by reversing the removal procedure.
- Before definitively tightening the catch retaining screws adjust as indicated below.

CATCH ADJUSTMENT

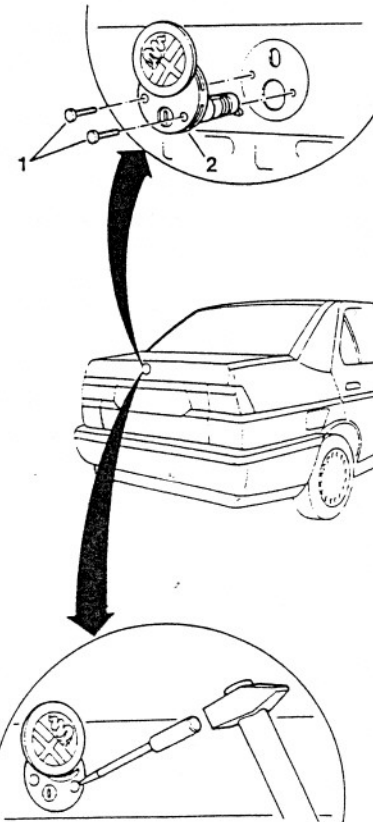
- Correctly position the catch and tighten the retaining screws.
- Check that the boot lid opens correctly and repeat the operation if necessary.



BOOT LOCK

REMOVAL AND INSTALLATION

- Disconnect the negative cable (-) from the battery.
 - Remove the luggage compartment trim (see: GR. 66 - LUGGAGE COMPARTMENT TRIM).
 - Working from inside the boot unhook the tie-rod securing the lock block to the boot lid release device (on the lock side).
1. Using a suitable punch, unscrew the two self-cutting screws securing the lock to the boot lid.
 2. Remove the lock block.



- Install by reversing the removal procedure.
- For installation of components and/or parts dealt with in other pages of this or other groups, refer to the relative procedures and warnings.



TECHNICAL CHARACTERISTICS AND SPECIFICATIONS

GENERAL INDICATIONS

FLUIDS AND LUBRICANTS

APPLICATION	TYPE	NAME
- Locks	GREASE	AMECO - OPTIMOL Optimoly - Paste White T COMPOUND. 7 Rhône - Poulene Chimica S.p.A.
- Boot and bonnet lid hinges	SILICON	
- Gaskets	SPRAY LU- BRICANT	

TIGHTENING TORQUES

Description	N·m	kg·m
Screws securing bonnet lid hinge to engine compartment	18 ÷ 23	1.83 ÷ 2.34
Screws securing boot lid hinge to luggage compartment	18 ÷ 23	1.83 ÷ 2.34
Bonnet catch retaining screws	7.1 ÷ 9	0.72 ÷ 0.98
Screws securing bonnet safety hook	7.1 ÷ 9	0.72 ÷ 0.98
Bonnet locking pin	12.9 ÷ 16.6	1.32 ÷ 1.69
Screws securing boot lid lock to luggage compartment	21.25 ÷ 26.25	2.17 ÷ 2.67