

**GROUP 25****REAR SUSPENSION****INDEX**

## REAR SUSPENSION

## TECHNICAL CHARACTERISTICS AND SPECIFICATIONS ..... 25-2

- TECHNICAL CHARACTERISTICS 25-2
  - Coil springs ..... 25-2
  - Shock absorbers ..... 25-2
  - Stabilizer bar ..... 25-2

- CHECKS AND ADJUSTMENTS. . . . 25-3
  - Rear wheel toe-in. . . . . 25-3
  - Rear wheel camber . . . . . 25-3
- TIGHTENING TORQUES. . . . . 25-4
- SPECIAL TOOLING. . . . . 25-4

For all the parts not mentioned herein, see the corresponding Group of the manual "155 - INSTRUCTIONS FOR REPAIR" - PA465500000000 - (pages with publication no. PA4655C1000000)



## TECHNICAL CHARACTERISTICS AND SPECIFICATIONS

### TECHNICAL CHARACTERISTICS

#### COIL SPRINGS

CHARACTERISTICS	
Inside diameter (mm)	100
Outside diameter (mm)	124.8
Diameter of wire (mm)	12.4
Number of coils	6.32
Direction	Right-handed
Free length (mm)	305

#### SHOCK ABSORBERS

Type	telescopic hydraulic pressurized lamellar	
Stroke (mm)	160	
Diameter of stem (mm)	11.5	

#### STABILIZER BAR

Diameter of ba (mm)	17
---------------------	----

)B. 2.

### ANGOLI / ASSETTI ALFA 155 - Edizione 95

VETTURE		RUOTE ANTERIORI				RUOTE POSTERIORI				
		CAMPANATURA	CONVERGENZA mm A - B	INCIDENZA B	ASSETTO mm B - A	CAMPANATURA	CONVERGENZA mm A - B	ASSETTO mm C - D		
Alfa 155	1.7	-20' ± 20'	-1 ± 1	3°10' ± 30'	-20 ± 5	//	-1° ± 15'	0,5 ± 2	-10 ± 5	//
	1.8	-20' ± 20'	-1 ± 1	3°10' ± 30'	-20 ± 5 *Lusso	-35 ± 5 *Sportiva	-1° ± 15'	0,5 ± 2	-10 ± 5 *Lusso	-25 ± 5 *Sportiva
	2.0 16v	-20' ± 20'	-1 ± 1	3°10' ± 30'	-20 ± 5 *Super	-35 ± 5 *Sportiva	-1° ± 15'	0,5 ± 2	-10 ± 5 *Super	-25 ± 5 *Sportiva
	2.5 V6	-20' ± 20'	-1 ± 1	3°10' ± 30'	//	-35 ± 5	-1° ± 15'	0,5 ± 2	//	-25 ± 5
	2.0 TB 4x4	-20' ± 20'	-1 ± 1	3°10' ± 30'	//	-39 ± 5	-1° ± 15'	1,3 ± 2	//	-15 ± 5
	TD	-20' ± 20'	-1 ± 1	3°10' ± 30'	-20 ± 5	//	-1° ± 15'	0,5 ± 2	-10 ± 5	//
	2.5 TD	-20' ± 20'	-1 ± 1	3°10' ± 30'		-35 ± 5	-1° ± 15'	0,5 ± 2	//	-25 ± 5

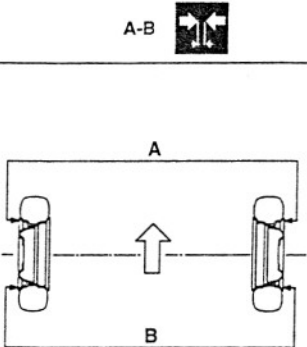
N.B. - Valori misurati a vuoto in ordine di marcia (con rifornimenti prescritti)

\* Allestimenti



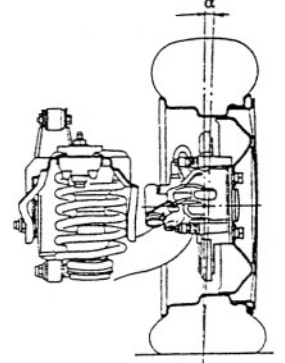
CHECKS AND ADJUSTMENTS

REAR WHEEL TOE-IN

	2.0 T.SPARK 16V	
	Version with heater	Version with air conditioner
	2.9 ± 1 mm	2.7 ± 1 mm
(not adjustable)		

N.B. Values measure with unladen vehicle in running order (with fuel and specified fluids).

REAR WHEEL CAMBER

	2.0 T.SPARK 16V	
	$\alpha = ^\circ$	
	(not adjustable)	

N.B. Values measure with unladen vehicle in running order (with fuel and specified fluids).

\* NOT AVAILABLE AT TIME OF GOING TO PRESS

REAR ALIGNMENT

(see GR. 21 - Front suspension - Technical Characteristics and Specifications).



TIGHTENING TORQUES

Description	N·m	kg·m
Hex. head screw for fastening front rebound pad to the body	92 + 113	9.4 + 11.6
Hex. head screw for fastening rear rebound pad to the body	92 + 113	9.4 + 11.6
Bolt fastening rear suspension wishbone to frame	142 + 157	14.5 + 16.0
Nut for screw fastening lower shock absorber to suspension	75 + 92	7.6 + 9.4
Hex. head screw for fastening upper shock absorber to the chassis	48 + 59	4.9 + 6.0
Nut for pin fastening rear hub	226 + 294	27 + 30
Hex. head screw for fastening stabilizer bar to rear suspension arm	48 + 59	4.9 + 6.0
Hex. head screw for fastening stabilizer bar support U-bolts to rear suspension arm	24 + 29	2.4 + 3.0
Wheel stud	83 + 103	8.5 + 10.5





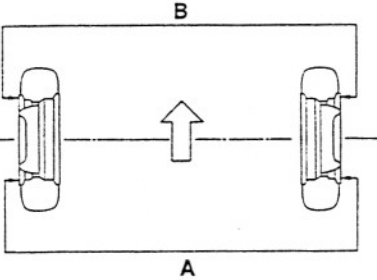
SPECIAL TOOLS

TOOL NUMBER	DESCRIPTION
1.820.003.000	Tool for removing and refitting rear axle
1.822.005.000	Extension wrench for tightening rear wheel hub fastening nut



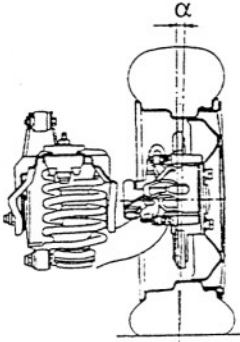



CHECKS AND ADJUSTMENTS

REAR WHEEL TOE-IN

			
	$0.5 \pm 2 \text{ mm}$		

N. B. Values measured with unladen car in running order (with specified fluids).

REAR WHEEL CAMBER

			
	$\alpha = -1^\circ \pm 15'$		
	(unadjustable characteristic)		

N.B. Values measured with unladen car in running order (with specified fluids)

REAR GEOMETRY

(see GR. 21 - Front suspension - Technical characteristics and specifications).



TIGHTENING TORQUES

Description	Nm	kgm
Hexagon head screw for: fastening front rubber rebound to body	92 + 113	9.4 + 11.6
Hexagon head screw for: fastening rear rubber rebound to body	92 + 113	9.4 + 11.6
Bolt fastening rear suspension wishbone to frame	142 + 157	14.5 + 16.0
Nut for screw fastening front shock absorber to suspension	75 + 92	7.6 + 9.4
Hexagon head screw for fastening upper shock absorber to chassis	48 + 59	4.9 + 6.0
Nut for rear hub fastening pin	226 + 294	27 + 30
Hexagon head screw for fastening stabilizer bar to rear suspension arm	48 + 59	4.9 + 6.0
Hexagon head screw for fastening U-bolts supporting stabilizer bar to rear suspension arm	24 + 29	2.4 + 3.0
Wheel stud	83 + 103	8.5 + 10.5

SPECIAL TOOLS

TOOL NUMBER	DESCRIPTION
1.820.003.000	Tool for removing and refitting rear axle
1.822.005.000	Extension wrench for tightening rear wheel hub fastening nut